

# 910

**CARSON**<sup>®</sup> *Spec Grade*

## COVER

Style:	T-Cover
Material:	HDPE
Model:	10" Dia.
Weight:	1 lbs
Std. Fasteners:	3/8" Hex Bolt
Options:	Logos and Special Markings
Surface:	Skid Resistant & Marked
Performance:	Pedestrian, ASTM C857, WUC 3.6

Cover comes standard with permanent markings for manufacturer and model size.

## BODY

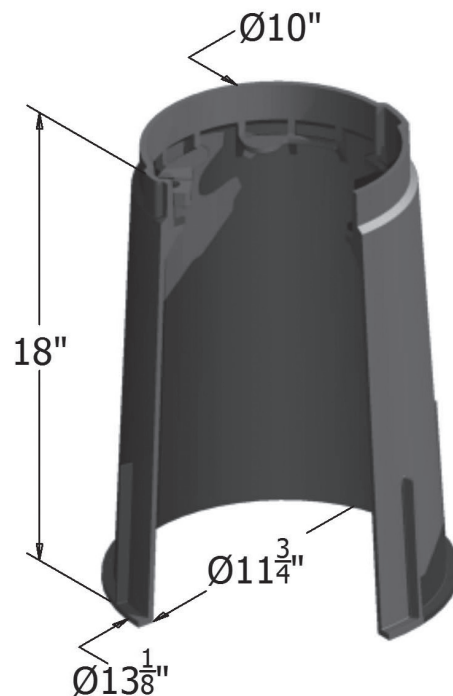
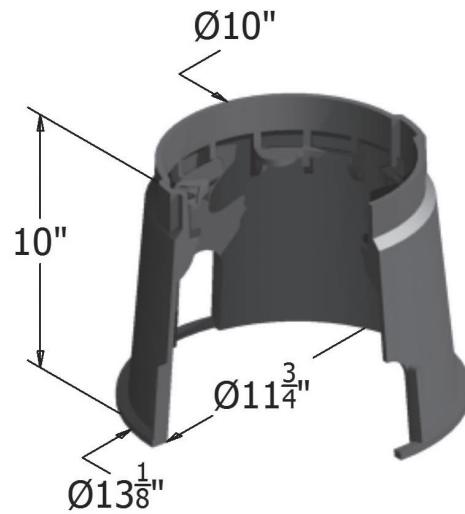
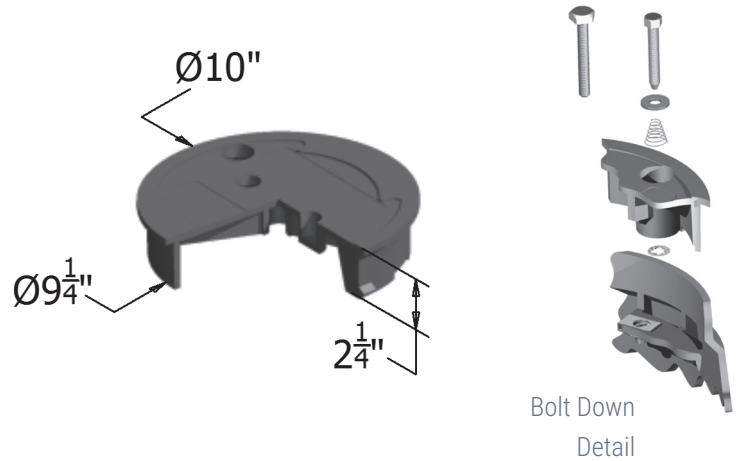
Material:	HDPE
Model:	10" Dia.
Weight:	10" Depth: 3 lbs 18" Depth: 5 lbs
Wall Type:	Flared
Mouseholes:	0 - 2
Performance:	Pedestrian, ASTM C857, WUC 3.6

## LOAD RATING / NOTES



LIGHT DUTY  
PEDESTRIAN / GREENBELT

For use in non-vehicular traffic situations only. Weights and dimensions may vary slightly. Actual load rating is determined by the box and cover combination.



# 910

**CARSON**<sup>®</sup> *Spec Grade*

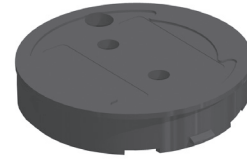
## COVER OPTIONS

HDPE, T-Cover Solid

HDPE, Flush Solid



T-Cover Solid



Flush Solid

## COLOR OPTIONS

Cover: Black, Green, Gray, Tan, Purple

Body: Black, Green, Gray, Tan, Purple

## FASTENER OPTIONS

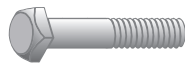
Hex Head Bolt (A)

Penta Head Bolt (B)

Penta Head Coil Thread Bolt (B)

Oldcastle Vandal Resistant Bolt (C)

Captive Bolt Retainer



Standard Thread



A



B



C



Coil Thread



Bolt Retainer  
(for standard thread)

## ADD ON OPTIONS

Metal Locating Plate

EMS Marker



EMS Marker

**WARNING:** Cancer - [www.P65Warnings.ca.gov](http://www.P65Warnings.ca.gov)

All information contained on this sheet is current at the time of publication.  
Oldcastle reserves the right to discontinue or update product information without notice.

Revision 11/30/18  
© 2018 Oldcastle Infrastructure